

XGZP6147 PRESSURE TRANSMITTER

FEATURES

- Sealed Gage(Positive&Negative) Pressure Type
- Pressure range(-100kPa…0kPa…200kP)
- MEMS Silicon Sensor
- Smart and Exquisite, High Stability
- Anti-overload&Shock&Vibration
- For Non-corrosive gas or air or liquid
- Easy-to-use, Low Cost.



APPLICATIONS

- HVAC System
- Hydraulic/Pneumatic
- Refrigeration Systems
- Pumps and Compressor
- Industrial Process Control and Monitoring
- Agriculture, Metallurgy, Hydrology, Energy etc.,

INTRODUCTION

XGZP6147 Pressure Transmitter is high performance and low cost products. It is structured by Piezo-resistive MEMS silicon sensor as signal sensing element and the customized IC, assort with stainless steel housing and packard connector.

XGZP6147 Transmitter is integrally temperature compensated and linearity corrected that can meet the requirement of measure and control under general environment. Through strict component making, semi-finished product and all-finished product testing and aging, the transmitter is stable and reliable, having excellent consistency and sensitivity.

XGZP6147 Transmitter provide standard analog output mode(0.5-4.5V or 0.2-2.7V) and pressure interface(G1/4 or by custom), the OEM service can meet extremely clients application requirement.

PERFORMANCE PARAMETER

Unless otherwise specified, measurements were taken with a a temperature of $25\pm 1^{\circ}\text{C}$ and humidity ranging from 25 % ~ 85%RH(supply voltage:3.3V ~ 5.0Vdc)

Item	Data	Unit
Accuracy(non-lin., rep. and hys...) ¹	± 1.5	%Span
Long Term Stability(1 Year) ²	± 1	%Span
Insulation Impedance (250Vdc)	50	M Ω
Over pressure ³	2 \times	Rated
Burst Pressure ⁴	3 \times	Rated
Pressure Circulation(Zero- Span)	1	Million
Compensation Temp. ⁵	0 ~ 60/32 ~ 140	$^{\circ}\text{C}/^{\circ}\text{F}$
Operating Temp.	-20 ~ 100/-4 ~ 212	$^{\circ}\text{C}/^{\circ}\text{F}$
Storage Temp.	-20 ~ 125/-4 ~ 257	$^{\circ}\text{C}/^{\circ}\text{F}$
Housing Material	304 Stainless Steel	
Socket Connector	Plastic	
Protection Grade	IP65	

1 **Accuracy**: The max. deviation in output from ideal transfer function at any pressure or temperature over the specified ranges, units are in percent of full scale span (%FSS), which mainly consists of: Offset and Span Shift; Linearity(Non-linearity); Repeatability; Pressure Hysteresis ; TcOffset and TcSpan.

1.1. The accuracy in table is the typical output accuracy during specified pressure range. Contact factory for higher accuracy requirement(e.g $\pm 0.5\%$ Span) if need.

1.2 Non-linearity(Linearity): the deviation of measured output from "Best Straight Line" through three points (Offset pressure, FS pressure and $\frac{1}{2}$ FS pressure)at constant temperature.

1.3 Repeatability: the deviation of measured output when the same pressure is applied continuously, with pressure approaching from the same direction within the specified operating pressure range,under the same operating conditions.

1.4 Pressure Hysteresis: the deviation of measured output at any pressure within the specified range, when this pressure is applied continuously, with pressure approaching from opposite directions within the specified operating pressure range, under the same operating conditions.

1.5 TcOffset (TCO:Temp. Coefficient of Offset): the deviation of measured output with minimum rated pressure applied, over the temperature range of 0° to 60°C , relative to 25°C .

1.6 TcSpan (TCS:Temp. Coefficient of Span): the deviation of measured output over the temperature range of 0° to 60°C , relative to 25°C .

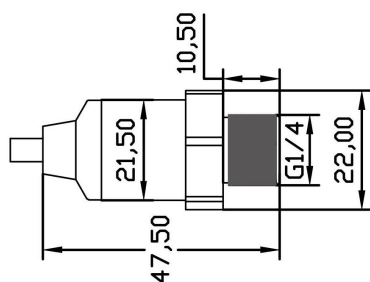
2. **Long Term Stability**: the sensor's output deviation when subjected to 1000 hours pressure test.

3. **Over Pressure**: the maximum pressure which may be applied without causing durable shifts of the electrical parameters of the sensing element and remain the specification once pressure is returned to the operating pressure range.

4. **Burst Pressure**: the maximum pressure which may be applied without causing damage to the sensing die or leaks; The sensor should not be expected to recover function after exposure to any pressure beyond the burst pressure.

5. **Compensated Temperature**: the temperature range over which the sensor have an output proportional to pressure within the specified performance limits.

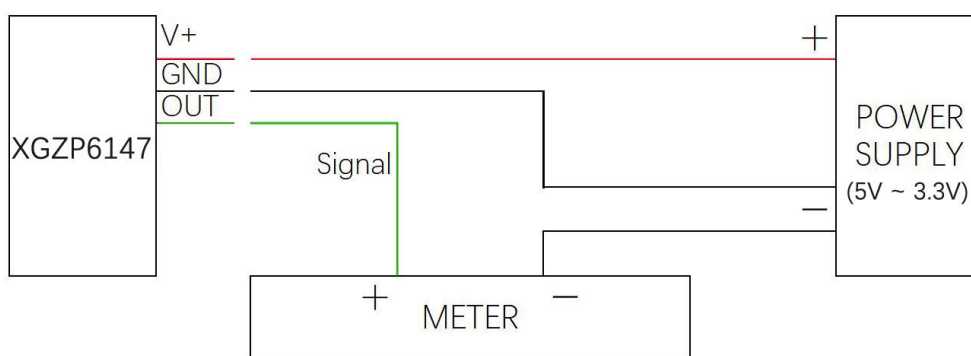
DIMENSION (Unit:mm)



ELECTRIC DEFINITION

PIN Code	Cable	Elec-Definition(3wire)
1	Red Wire	Power: +V
2	Green Wire	Signal:OUT
3	Black Wire	GND

ELECTRIC CONNECTION



ROUTINE PRESSURE RANGE

Pressure Range (kPa)	Pressure Range (by other units)	Part Number
0 ~ 2.5	0 ~ 25mbar / 0 ~ 250mmH ₂ O	XGZP6147A025HPG
0 ~ 5	0 ~ 50mbar / 0 ~ 500mmH ₂ O	XGZP6147A005KPG
0 ~ 10	0 ~ 100mbar / 0 ~ 75mmHg	XGZP6147A010KPG
0 ~ 20	0 ~ 200mbar / 0 ~ 150mmHg	XGZP6147A020KPG
0 ~ 40	0 ~ 400mbar / 0 ~ 300mmHg	XGZP6147A040KPG
0 ~ 100	0 ~ 1bar / 0 ~ 14.5PSI	XGZP6147A100KPG
0 ~ 200	0 ~ 2bar / 0 ~ 29PSI	XGZP6147A200KPG
-100 ~ 0	-1 ~ 0bar / -14.5 ~ 0PSI	XGZP6147A100KPGN
-30 ~ 0	-300 ~ 0mbar / -4.35 ~ 0PSI	XGZP6147A030KPGN
-20 ~ 0	-200 ~ 0mbar / -2.9 ~ 0PSI	XGZP6147A020KPGN
-1 ~ 1	-10 ~ 10mbar / -100 ~ 100mmH ₂ O	XGZP6147A001KPGPN
-2.5 ~ 2.5	-25 ~ 25mbar / -250 ~ 250mmH ₂ O	XGZP6147A025HPGPN
-5 ~ 5	-50 ~ 50mbar / -500 ~ 500mmH ₂ O	XGZP6147A005KPGPN
-40 ~ 40	-400 ~ 400mbar / -300 ~ 300mmHg	XGZP6147A040KPGPN
-100 ~ 100	-1 ~ 1bar / -14.5 ~ 14.5PSI	XGZP6147A100KPGPN
-100 ~ 200	-1 ~ 2bar / -14.5 ~ 29PSI	XGZP6147A200KPGPN

Other higher pressure range or custom pressure span, consult CFSensor

XGZP6147 OUTPUT CURVE

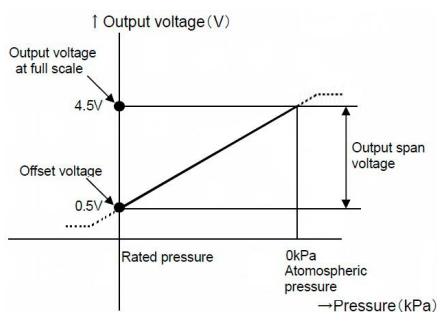
Note: Output can be calibrated to reverse line with pressure, e.g. -100 ~ 0kPa correspond with 4.5 ~ 0.5V;

Negative Pressure

Pressure Point Output Example

Model	100KPGN	020KPGN	010KPGN
Output(V)	Pressure (kPa)		
0.5	-100	-20	-10
1.5	-75	-15	-7.5
2.5	-50	-10	-5
3.5	-25	-5	-2.5
4.5	0	0	0

Output VS Pressure Curve



Pressure Conversion Formula:

3.3V Power Supply: $Pressure = (output - 2.7) / K$

5V Power Supply: $Pressure = (output - 4.5) / K$

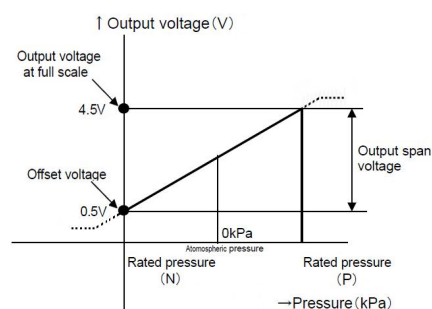
K value VS Rated Pressure range		
Range (kPa)	3.3 (V)	5 (V)
-10 ~ 0	0.25	0.4
-20 ~ 0	0.125	0.2
-40 ~ 0	0.0625	0.1
-100 ~ 0	0.025	0.04

Negative Pressure to Positive Pressure

Pressure Point Output Example

Model	005KPGPN	040KPGPN	100KPGPN
Output(V)	Pressure (kPa)		
0.5	-5	-40	-100
1.5	-2.5	-20	-50
2.5	0	0	-0
3.5	2.5	20	50
4.5	5	40	100

Output VS Pressure Curve



Pressure Conversion Formula:

3.3V Power Supply: $Pressure = (output - 1.45) / K$

5V Power Supply: $Pressure = (output - 2.5) / K$

K value VS Rated Pressure range		
Range (kPa)	3.3 (V)	5 (V)
-10 ~ 10	0.125	0.2
-40 ~ 40	0.03125	-0.05
-100 ~ 100	0.0125	0.02

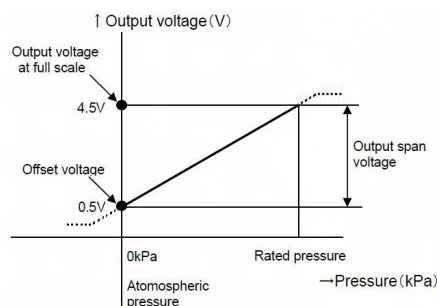
NOTE: -100KPA AS MAX NEGATIVE

Positive Pressure

Pressure Point Output Example

Model	001KPG	025HPG
Output (V)	Pressure (kPa)	
0.5	0	0
1.5	0.25	0.625
2.5	0.5	1.25
3.5	0.75	1.875
4.5	1	2.5

Output VS Pressure Curve



Pressure Conversion Formula:

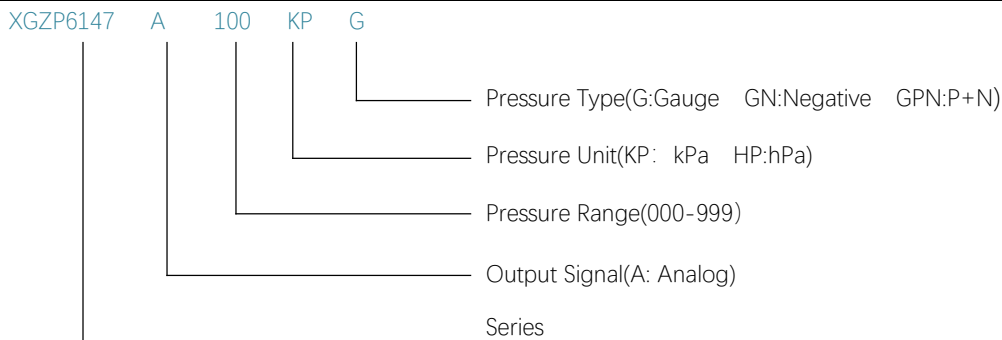
3.3V Power Supply: $Pressure = (output - 0.2) / K$

5V Power Supply: $Pressure = (output - 0.5) / K$

K value VS Rated Pressure range		
Range (kPa)	3.3 (V)	5 (V)
1	2.5	4.0
2.5	1	1.6
5	0.5	0.8
10	0.25	0.4
20	0.125	0.2
40	0.0625	0.01
100	0.025	0.04
200	0.0125	0.02

Model	005KPG	010KPG	020KPG	040KPG	060KPG	200KPG
Output	Pressure (kPa)					
0.5	0	0	0	0	0	0
1.5	1.25	2.5	5	10	25	50
2.5	2.5	5	10	20	50	100
3.5	3.75	7.5	15	30	75	150
3.5	5	10	20	40	100	200

ORDER GUIDE



Note: 1. Voltage 5Vdc as default value, add 33(or 30) behind model signify 3.3V(or 3.0V) power supply, e.g. : XGZP6147A040KPG33.

2 Custom requirement, please comment herewith Part number(e.g pressure port etc.) or contact CFSensor

【 SAFETY NOTES 】

Using these sensors products may malfunction due to external interference and surges, therefore, please confirm the performance and quality in actual use. Just in case, please make a safety design on the device (fuse, circuit breaker, such as the installation of protection circuits, multiple devices, etc.), so it would not harm life, body, property, etc even a malfunction occurs.

To prevent injuries and accidents, please be sure to observe the following items:

- The driving current and voltage should be used below the rated value.
- Please follow the terminal connection diagram for wiring. Especially for the reverse connection of the power supply, it will cause an accident due to circuit damage such as heat, smoke, fire, etc.
- In order to ensure safety, especially for important uses, please be sure to consider double safety circuit configuration.
- Do not apply pressure above the maximum applied pressure. In addition, please be careful not to mix foreign matter into the pressure medium. Otherwise, the sensor will be discarded, or the media will be blown out and cause an accident.
- Be careful when fixing the product and connecting the pressure inlet. Otherwise, accidents may occur due to sensor scattering and the blowing out of the media.
- Because Pressure sensor body is sold, please be careful not to hurt your body when using it.

【 WARRANTY 】

The information in this sheet has been carefully reviewed and is believed to be accurate; however, no responsibility is assumed for inaccuracies. Furthermore, this information does not convey to the purchaser of such devices any license under the patent rights to the manufacturer. CFSensor reserves the right to make changes without further notice to any product herein. CFSensor makes no warranty, representation or guarantee regarding the suitability of its product for any particular purpose, nor does CFSensor assume any liability arising out of the application or use of any product or circuit and specifically disclaims any and all liability, including without limitation consequential or incidental damages. Typical parameters can and do vary in different applications. All operating parameters must be validated for each customer application by customer's technical experts. CFSensor does not convey any license under its patent rights nor the rights of others.

【 CONTACT 】**CFSensor**

14-15F/4Bldg High-Tech Park High-Tech Area Wuhu P.R.C.241000

Tel/Fax:+86 18226771331 Email:INFO@CFSensor.com

North America || Europe || Southeast Asia || Middle East || Latin America